



# USER MANUAL

## WP-Sine InverterControlPanel



Recreational vehicles • Caravans  
Pleasure craft • Holiday homes

High frequency sine wave inverter control



### INTRODUCTION

The WP-Sine Inverter Control (remote panel) can be connected to the WP-Sine Inverter via the Remote port on the AC side panel to turn the WP-Sine inverter ON or OFF from a more convenient location. The remote panel also has the ability to be installed on the wall and into the wall. The WP-Sine Inverter Control Remote Panel comes with a 6 m communications cable.

### IMPORTANT SAFETY INFORMATION

Misusing or incorrectly connecting the remote panel may damage the equipment or create hazardous conditions for users. Read the following safety instructions and pay special attention to all Caution and Warning statements in your SW Inverter User manual.

### WARNINGS

1. All electrical work must be done in accordance with local, national, and/or international electrical codes.
2. All electrical work must be done by a qualified installer.
3. Before installing or using the remote panel, read all instructions and cautionary markings located in the manual, on the WP-Sine unit, and on the batteries.
4. Do not expose the remote panel to rain, snow or liquids of any type. This product is designed for indoor mounting only.
5. Use insulated tools to reduce the chance of short circuits when installing or working with the inverter, or the batteries.
6. Remove all jewelry such as rings, bracelets, necklaces, etc., while installing this system. This will greatly reduce the chance of accidental exposure to live circuits.
7. The WP-Sine contains more than one live circuit (batteries and AC power). Power may be present at more than one source.
8. The remote panel contains no user-serviceable parts. Do not attempt to repair this unit. Failure to follow these safety guidelines may cause personal injury and/or damage to the remote panel. It may also void your product warranty

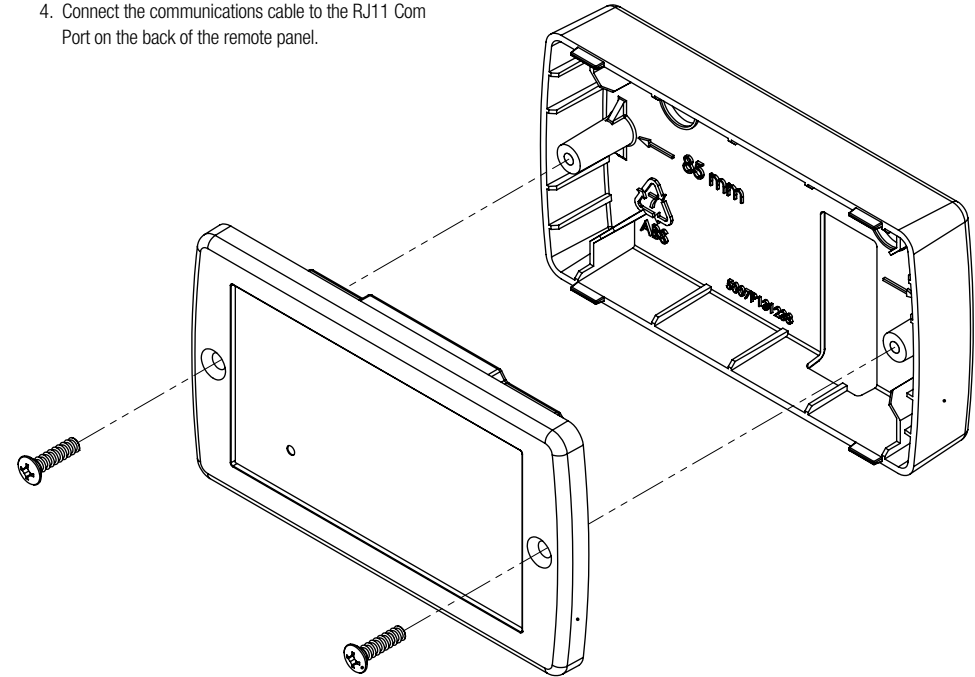
### MOUNTING THE WP-SINE INVERTER CONTROL

Mount the remote panel in a clean, dry environment.

#### To install the remote panel:

1. Choose a location that is dry, free from corrosive or explosive fumes, and appropriate for installing an electronic device.
2. Choose your mounting method, using the mounting dimension at, back side of this manual, pilot-drill the mounting holes. In case of build in method, cut an opening
3. Route the communications cable inside the wall and through the opening to the WP-Sine inverter.
4. Connect the communications cable to the RJ11 Com Port on the back of the remote panel.

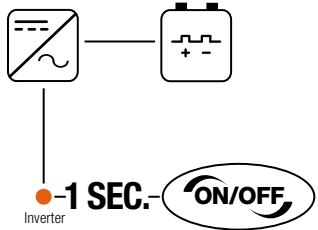
5. Position the remote top cover assembly into the opening in the wall and/or installed back panel secure it with the two screws (provided).
6. Make sure to switch the inverter OFF.
7. Plug the communications cable into the remote port (REM) on the WP-Sine Inverter.



## STARTUP AND TEST

### To Start up and Test the WP-SINE Remote Panel:

1. Turn the inverter ON using the WP-Sine unit's Inverter Enable ON switch button(1 sec) on its front panel.
2. Verify the POWER indicator light on the unit and the status indicator light on the remote are ON.
3. Press the ON/OFF button on the remote panel to turn the inverter OFF.( 1sec)
4. Press the ON/OFF button (1 sec) again to restore power.



## OPERATION

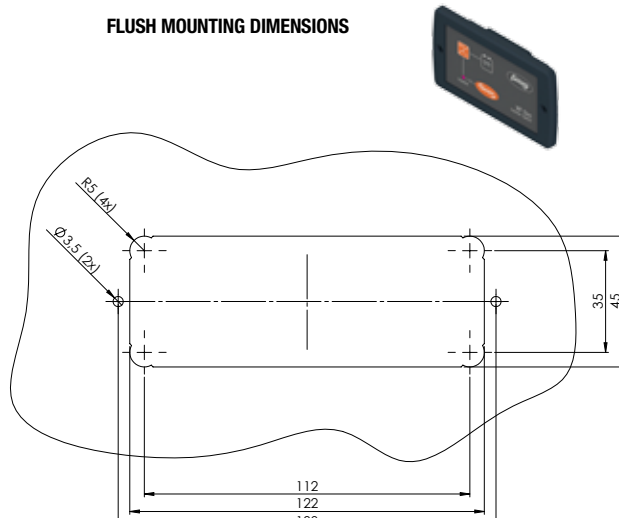
When the remote panel is used with the WP-Sine the status indicator light will display the following:

- **Solid (green light is on):** Normal operation.  
This means the inverter is enabled/on.
- **None (green light is off):**  
It means the inverter is disabled/off.

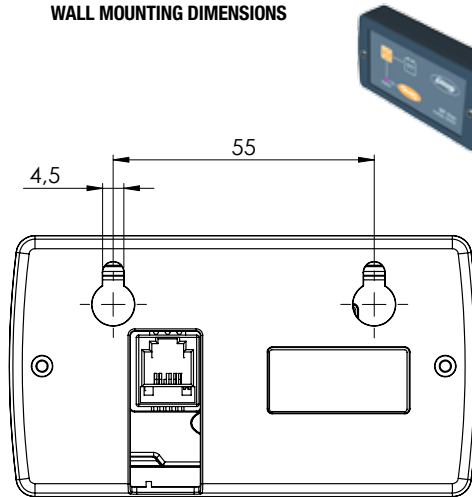
## SPECIFICATION

Part number	61120060
Model	WP-Sine inverter control
Operating Temp	- 0 to 50 °C
Dimensions(WxHxD)	98.9x55.0x22 mm
Weight	0.05 kg
Colour	Black
Remote connection	RJ12
Length remote cable	6 m
Remote cable	RJ11, twisted pair (4pole)

## FLUSH MOUNTING DIMENSIONS



## WALL MOUNTING DIMENSIONS



## LIMITED WARRANTY

WhisperPower guarantees the quality of this product. It is made to meet high industrial production standards for electronics. This limited warranty is made to the original purchaser of this product, and is valid from the date of purchase, meeting the mandatory warranty rights for the country of purchase. If the product has workmanship defects or damages relating to manufacturing or distribution, contact the store where you purchased the charger for warranty claims. The warranty is void if the unit has been damaged due to careless handling, abuse or unauthorized repair, or has been opened, or screws and/or labels have been removed. WhisperPower is not responsible for any consequential costs, or shipping- or handling costs for the return to the place of purchase. Nor is WhisperPower liable under any other warranty than this one. This warranty is not transferrable. Note: Measurements such as time, %, lengths etc are approximates.

## CE MANUFACTURER DECLARATION

Product: WP-Sine InverterControlPanel. WhisperPower guarantees that the unit complies with the relevant standards.

